

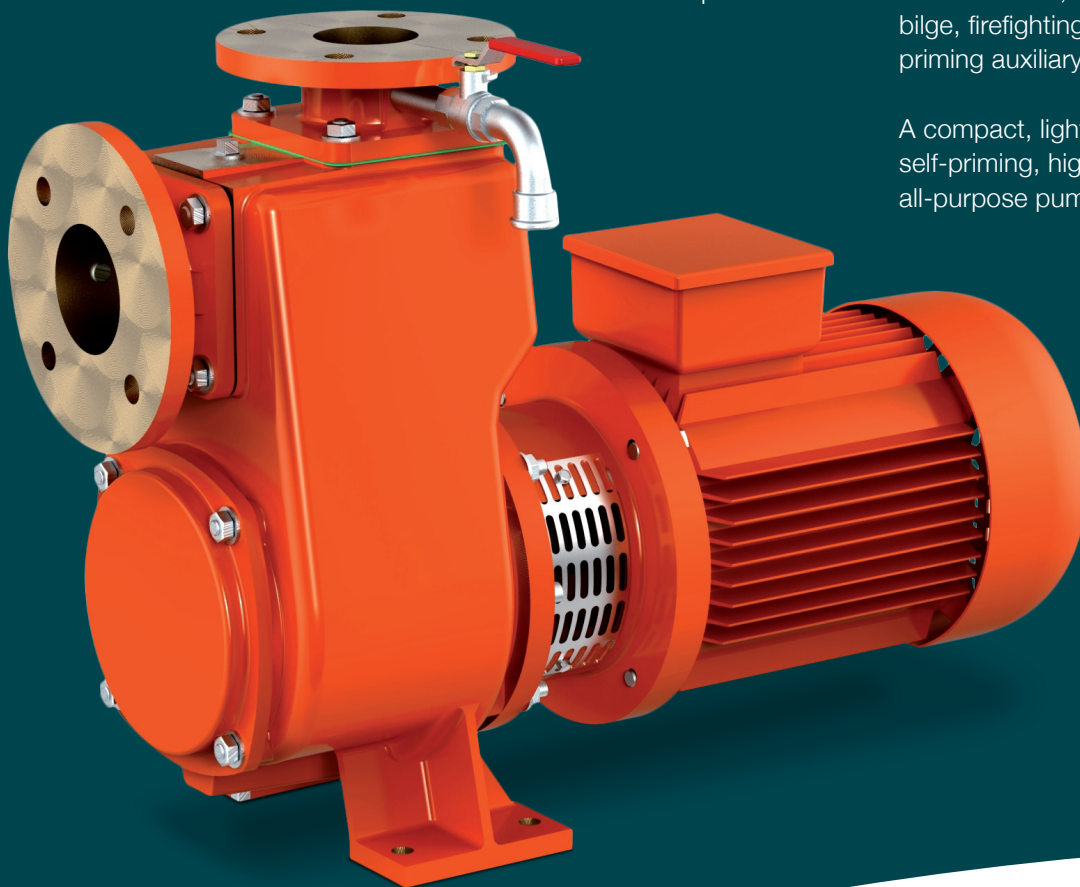
Self-priming centrifugal pump

- Horizontal centrifugal pump
- Self-priming
- Compact and lightweight
- Back pull out design
- Close coupled
- Light duty operation
- Few parts

The RSM series is service friendly, with as few components as possible and small in size. The simplistic design limits the pump to light duty operation only, but delivers a compact, self-priming and affordable pump that still bare the high quality IRON Pump is known for.

The RSM series has a hydraulic casing design that allows it to self-prime by recirculating a small reservoir of the media, while expelling air drawn in from the suction side (see illustration on other side). A tried and tested pump design that is found aboard smaller vessels, operating as bilge, firefighting and self-priming auxiliary SW pump.

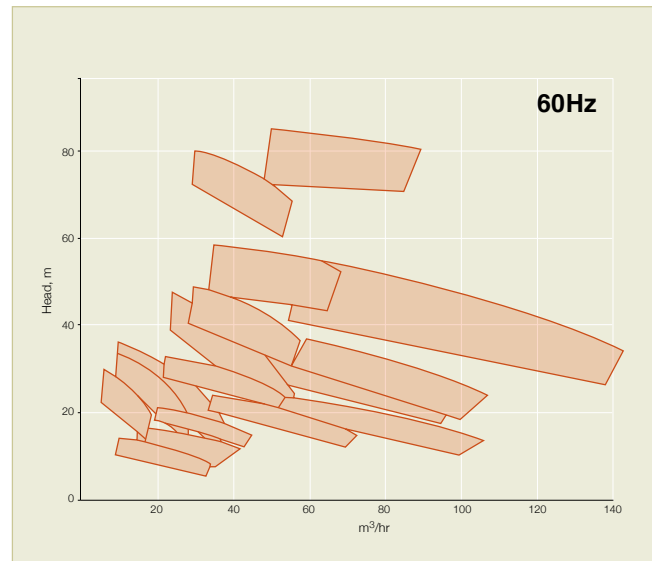
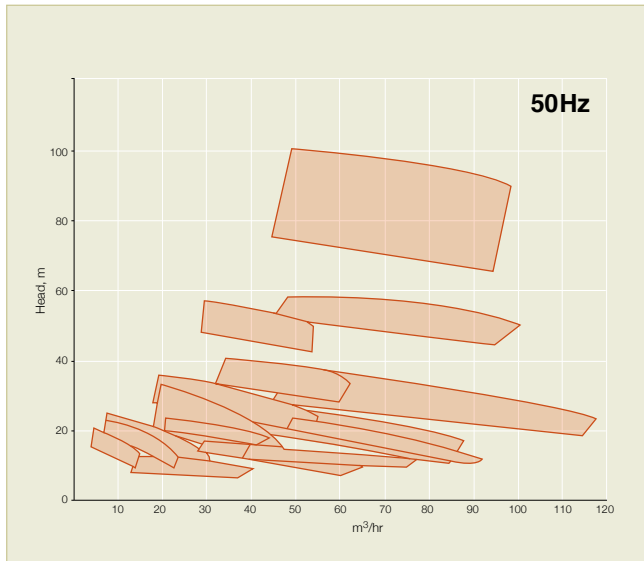
A compact, light duty, self-priming, high quality, all-purpose pump.



IRONPUMP

world class water pumps

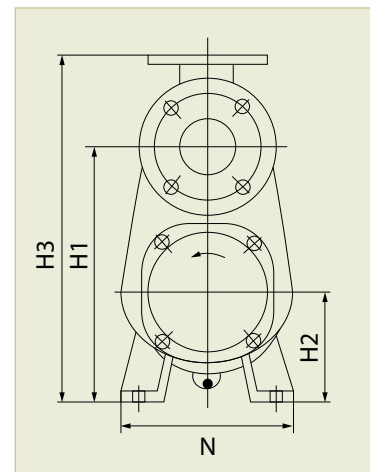
Performance Curve



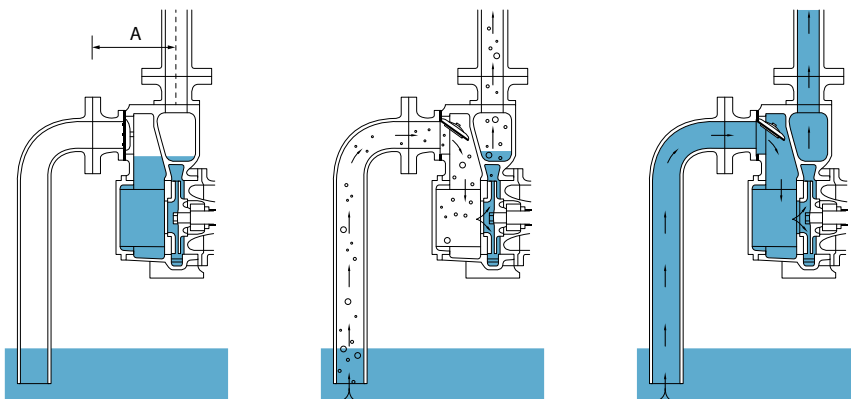
RSM dimensions

- Large range
- Wide selection of materials

Pump Size	Main Dimensions [mm]						Weight without motor [kg]
	L max	A	H1	H2	H3	N	
50-40/125	582	160	280	112	405	210	35
65-50/125	582	160	280	112	405	210	37
65-50/160	972	200	370	160	505	265	60
80-65/160	972	200	370	160	505	265	68
80-65/200	835	210	420	180	570	345	85
80-80/160	972	200	370	160	550	265	39
100-80/200	835	224	420	180	570	345	90
100-100/200	927	224	420	180	570	345	95
80-65/250	1085	210	470	200	620	400	110
100-80/250	1100	224	470	200	620	400	120
80-65/315	990	210	550	250	700	405	190
100-80/315	1214	224	550	250	700	405	195



L max is the overall length of the pump



The pump is designed to contain a volume of liquid for priming the pump.

During the priming cycle the contained liquid in the pump is recycled while expelling the air from the inlet system. When all air has been expelled from the inlet system, pump and impeller, the pump assumes its normal centrifugal pump operation.

Williams.dk 22-09-2017

