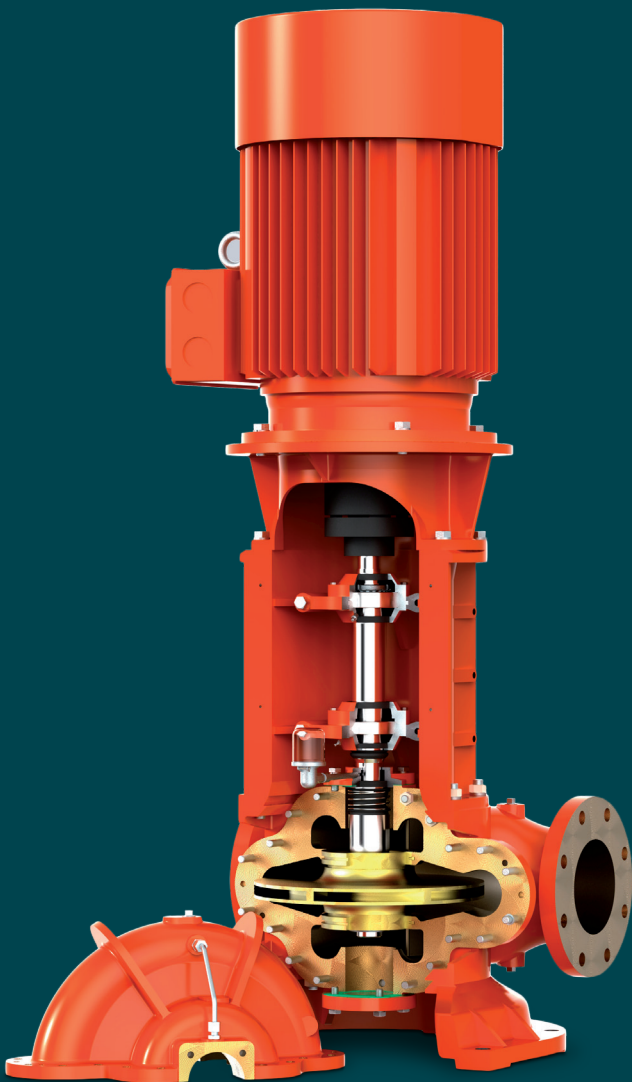


# Vertical in-line centrifugal pump



Vertical pumps for Fresh and Sea water applications in maritime and industrial service. Cooling water, ballast, fire fighting, public water supply, irrigation, ect. Robust design with two outboard anti-friction bearings. Axially balanced rotating element giving longer bearing life.

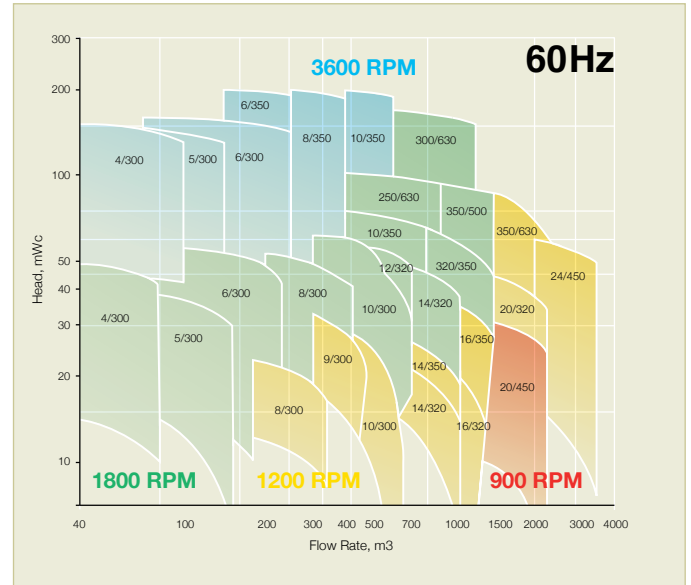
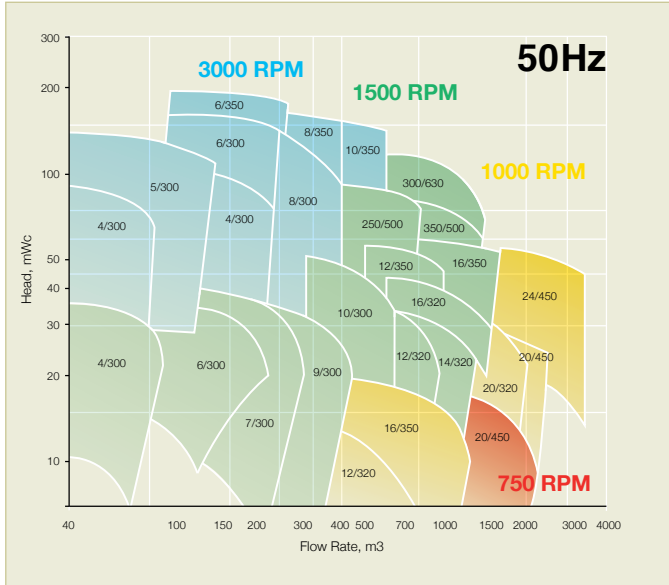
Pumps are extremely important in any ship and, being well aware of this, we at IRON Pump A/S meticulously set focus on pump detail and adjust our products in order to enable many years of problem-free operation. Pumps have been designed, developed and produced at our factory for more than 100 years and are presently supplied globally for new builds, retrofits, replacements and to OEM's. Estimates indicate that the majority of vessels sailing the high seas have at least one or more of our pumps installed on board. Regardless of the pump's age or destination, we guarantee the rapid delivery of spare parts should there arise needs for replacement. Our spare parts department provides a world-wide and world-class service.

IRON Pump A/S supplies a wide range of high quality pumps. Each pump type may be adapted and customized to meet the specific requirement in question. The individual pump is assembled and tested for the specified capacity before dispatch. An on time delivery is important and is benchmarked at Iron as an essential service.

**IRONPUMP**

world class water pumps

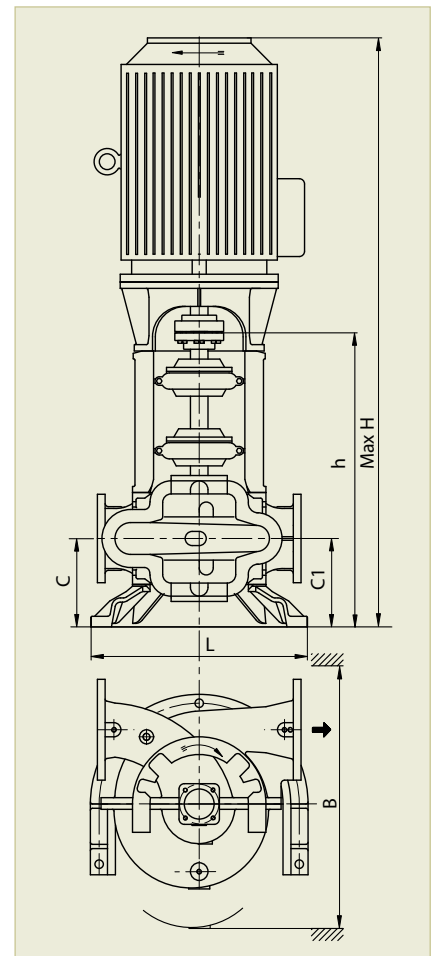
## Performance Curve



## QV dimensions

- Wide selection of designs
- Large range
- Wide selection of materials

Pump Size	Main Dimensions, mm					Pump Weight, kg (Exl. motor)
	L	B	Max H	C	h	
4/300	620	695	2000	250	840	270
5/300	620	740	2000	250	840	275
6/300	620	760	2000	250	840	280
8/300	620	808	2000	250	840	300
10/300	620	935	2000	250	840	345
10/360	620	935	2100	295	935	400
12/360	620	1210	2100	295	935	410
2-4/300	620	745	2010	335/215	845	350
2-5/300	620	745	2010	335/215	845	375
2-5/330	620	905	2125	446/239	960	440
2-6/330	620	925	2125	446/239	960	460
2-6/400	760	950	2450	468/325	1145	600
2-8/350	1000	1130	2460	565/330	1295	830
2-10/350	1000	1130	2460	565/330	1295	830
12/350	1000	1160	2475	400	1310	1020
14/350	1000	1240	2575	450	1410	1270
16/350	1000	1240	2575	450	1410	1300
16/400	760	1230	3260	525	1955	800
18/400	760	1250	3260	525	1955	810
10/320	760	1000	2475	425	1270	470
12/320	760	1020	2475	425	1270	480
14/320	760	1140	2354	465	1150	570
16/320	760	1240	2354	465	1150	580
18/320	1200	1470	2580	730	1375	1020
20/320	1200	1510	2580	730	1375	1070
20/450	1000	1815	2595	555	1390	1860
24/450	1000	1875	2595	555	1390	1880



2-4/300- Number of stages - ø Suction pipe in inches / ø Impeller

IEC Norm motor

williams.dk 24-08-2016

