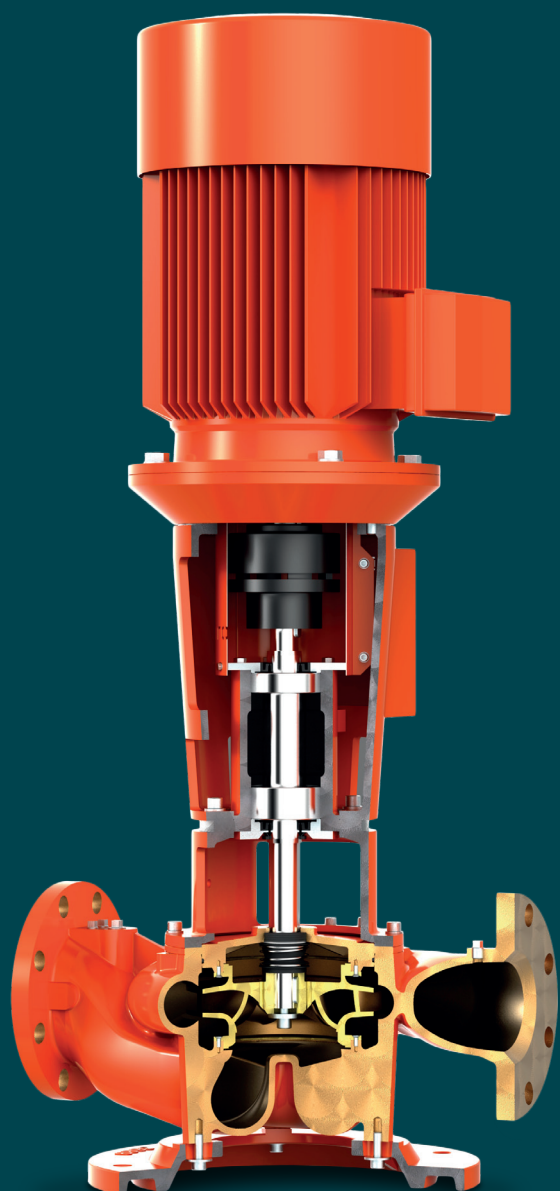


Vertical in-line centrifugal pump



- Vertical inline centrifugal pump
- Independent dual bearing construction
- Top pull out design
- Flexible coupling
- Stock pump
- Heavy duty operation
- High or low temperature operation (X)

The CNLB series is made for heavy duty operation aboard vessels, in industrial applications and in all other areas that demands a durable and versatile pump.

The CNLB series shares its hydraulic design with IRON Pumps DHB and CNL series and has been a key part of the company's pump portfolio for several decades. A tried and tested pump design suitable for continuous operation and high pressure thanks to the independent dual bearing construction.

As the CNLBX variation of the series can be fitted with a large array of seal types, making it suitable for operating with a high temperature media like DH water or with low temperature media like brine.

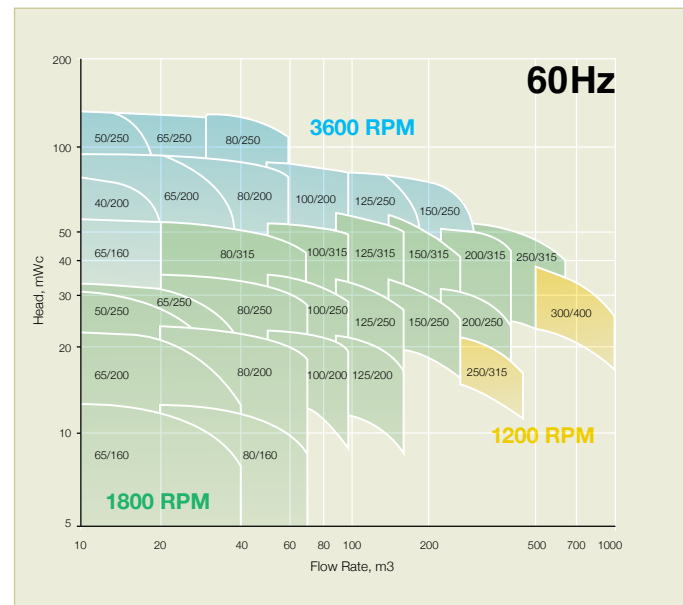
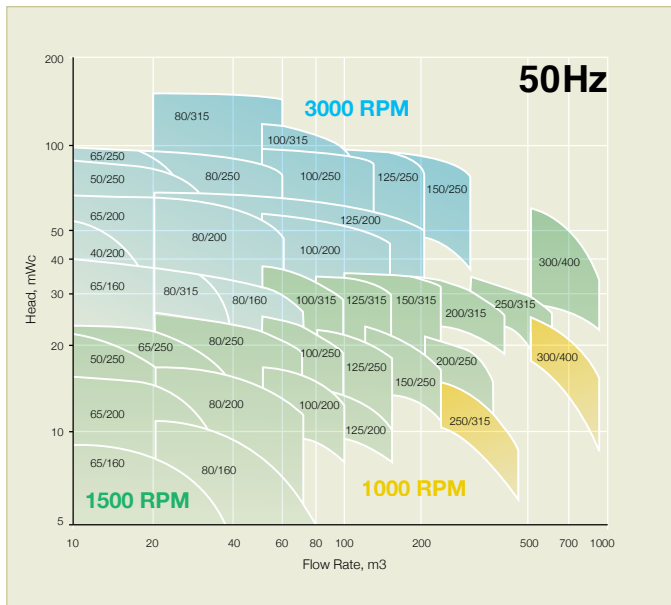
An affordable, versatile, heavy duty, high quality, all-purpose pump.



IRONPUMP

world class water pumps

Performance Curve



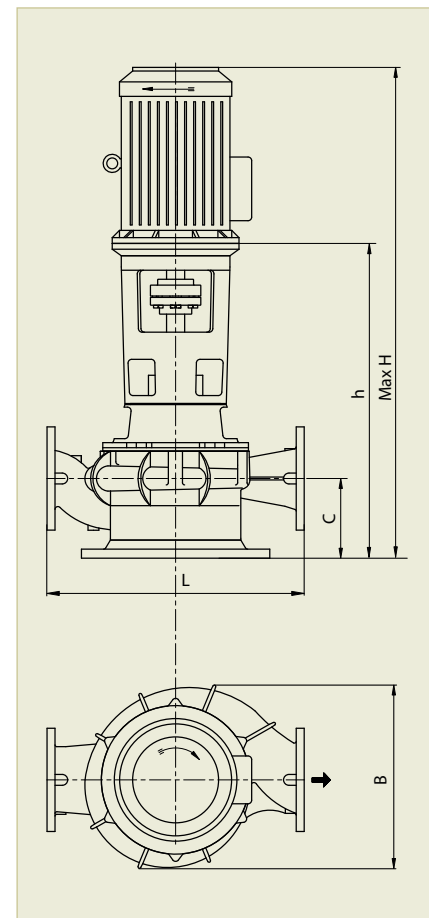
CNLB dimensions

- Wide selection of designs
- Large range
- Wide selection of materials

Pump Size	Main Dimensions, [mm]					Weight without motor [kg]
	L	B	Max H	C	h	
65/160	360	260	910	125	570	60
80/160	400	320	925	140	585	65
40/200	360	275	1180	125	690	75
50/200	400	305	1180	125	690	80
65/200	400	305	1280	125	690	80
80/200	450	325	1170	140	715	90
100/200	500	350	1215	175	750	100
125/200	560	365	1245	205	780	125
50/250	450	375	1185	145	720	110
65/250	450	380	1185	145	720	110
80/250	500	390	1310	160	735	115
100/250	560	405	1330	180	755	125
125/250	560	425	1565	210	885	190
150/250	710	440	1590	235	910	210
200/250	900	515	1635	280	955	240
80/315	560	460	1265	175	850	195
100/315	630	470	1300	180	855	210
125/315	630	470	1365	200	875	225
150/315	710	505	1575	220	895	235
200/315	900	560	1670	315	990	290
250/315	1000	600	1725	335	1045	335

80/250 - ø Suction pipe/ø Impeller

IEC Norm motor



williams.dk 22-09-2017

