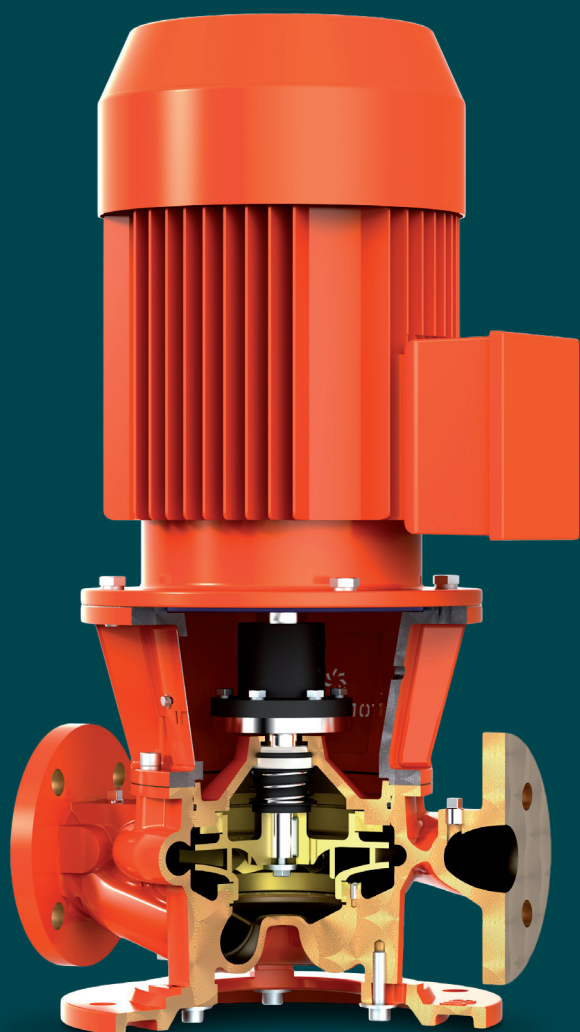


# Vertical in-line centrifugal pump



The CNL pump is developed in a service-friendly design with as few parts as possible. It's close coupled, top pull-out design enables a compact pump for flexibility of installation. The CNL pump is a good choice for light duty operation and will provide reliability year after year.

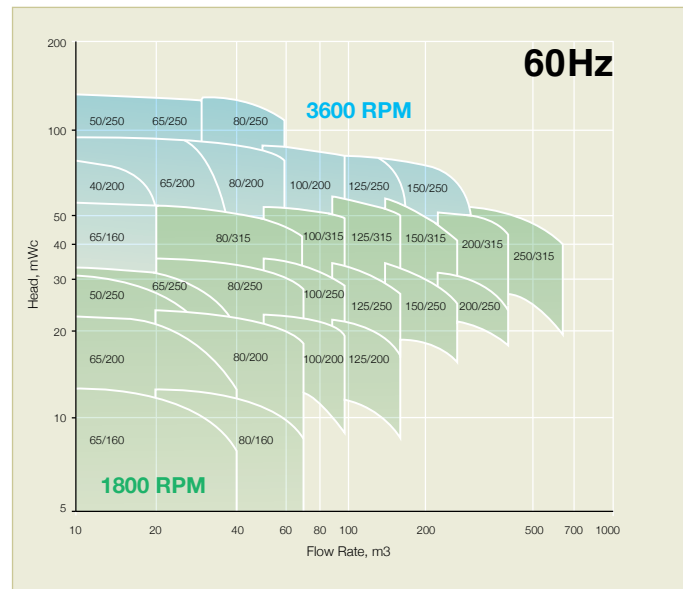
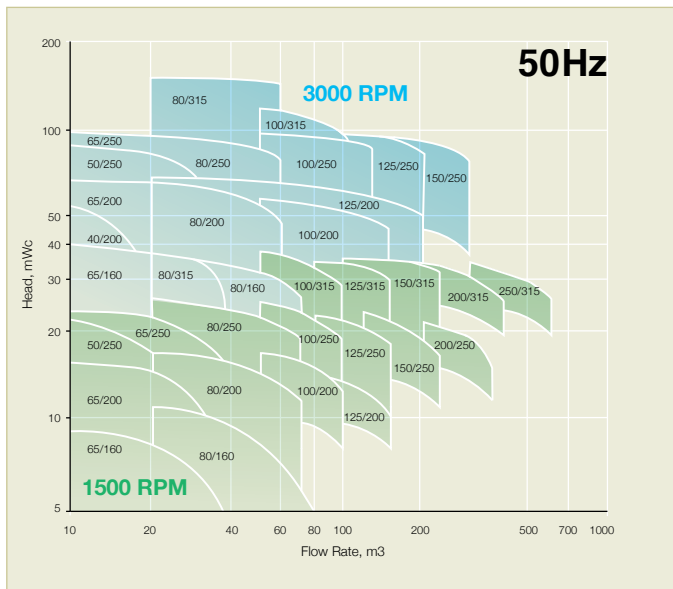
Pumps are extremely important in any ship and, being well aware of this, we at IRON Pump A/S meticulously set focus on pump detail and adjust our products in order to enable many years of problem-free operation. Pumps have been designed, developed and produced at our factory for more than 100 years and are presently supplied globally for new builds, retrofits, replacements and to OEM's. Estimates indicate that the majority of vessels sailing the high seas have at least one or more of our pumps installed on board. Regardless of the pump's age or destination, we guarantee the rapid delivery of spare parts should there arise needs for replacement. Our spare parts department provides a world-wide and world-class service.



## IRONPUMP

world class water pumps

## Performance Curve



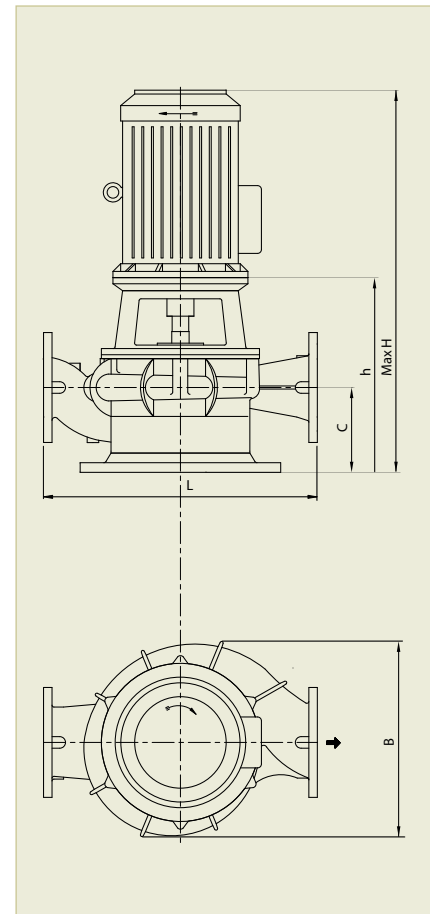
## CNL dimensions

- Wide selection of designs
- Large range
- Wide selection of materials

Pump Size	Main Dimensions, mm					Pump Weight, kg (Exl. motor)
	L	B	Max H	C	h	
65/160	360	260	870	125	310	45
80/160	400	320	915	140	355	50
40/200	360	275	1025	125	320	55
50/200	400	305	1025	125	320	60
65/200	400	305	1025	125	320	60
80/200	450	325	1040	140	335	65
100/200	500	350	1075	175	370	90
125/200	560	365	1105	205	400	100
50/250	450	375	950	145	290	100
65/250	450	380	950	145	290	110
80/250	500	390	985	160	325	110
100/250	560	405	1050	180	345	120
125/250	560	425	1175	210	405	125
150/250	710	440	1200	235	430	150
200/250	900	515	1245	280	475	180
80/315	560	460	1190	175	420	145
100/315	630	470	1195	180	425	150
125/315	630	470	1215	200	445	165
150/315	710	505	1215	220	445	175
200/315	900	560	1295	315	525	230
250/315	1000	600	1335	335	565	275

80/250 - ø Suction pipe/ø Impeller

IEC Norm motor



williams.dk 8-02-2017

**IRON Pump A/S**  
 Generatorvej 10  
 DK - 2730 Herlev

Phone: +45 4491 6788  
 Mail: iron@ironpump.dk  
 www.ironpump.com

