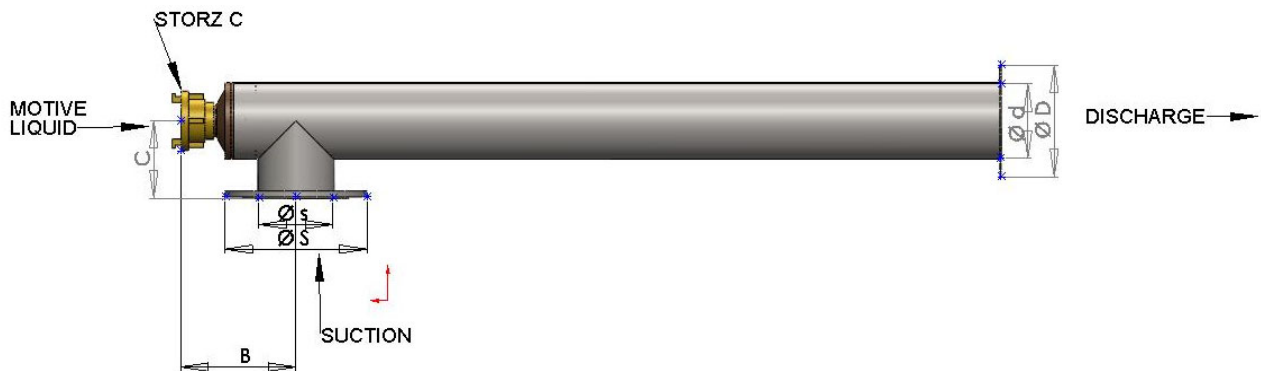


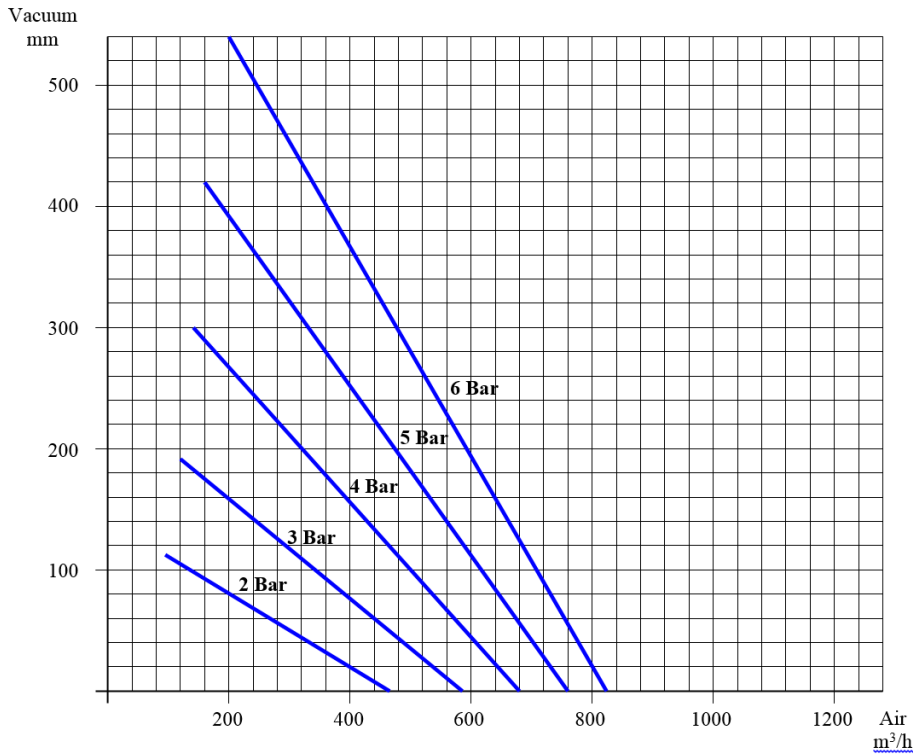
V-type ejector – Dimensions and weights

V-type ejectors are designed for emptying of gas from rooms.



Ejector type	A	B	C	p^\varnothing	P^\varnothing	s^\varnothing	S^\varnothing	d^\varnothing	D^\varnothing	Kgs
50-100-100V	1230	290	160	110 mm hose		STORZ-C		100	160	11.5
50-125-125V	1480	288	130	125	240	STORZ-C		125	288	17
65-200-200V	2320	320	150	200	320	STORZ-B		200	260	45

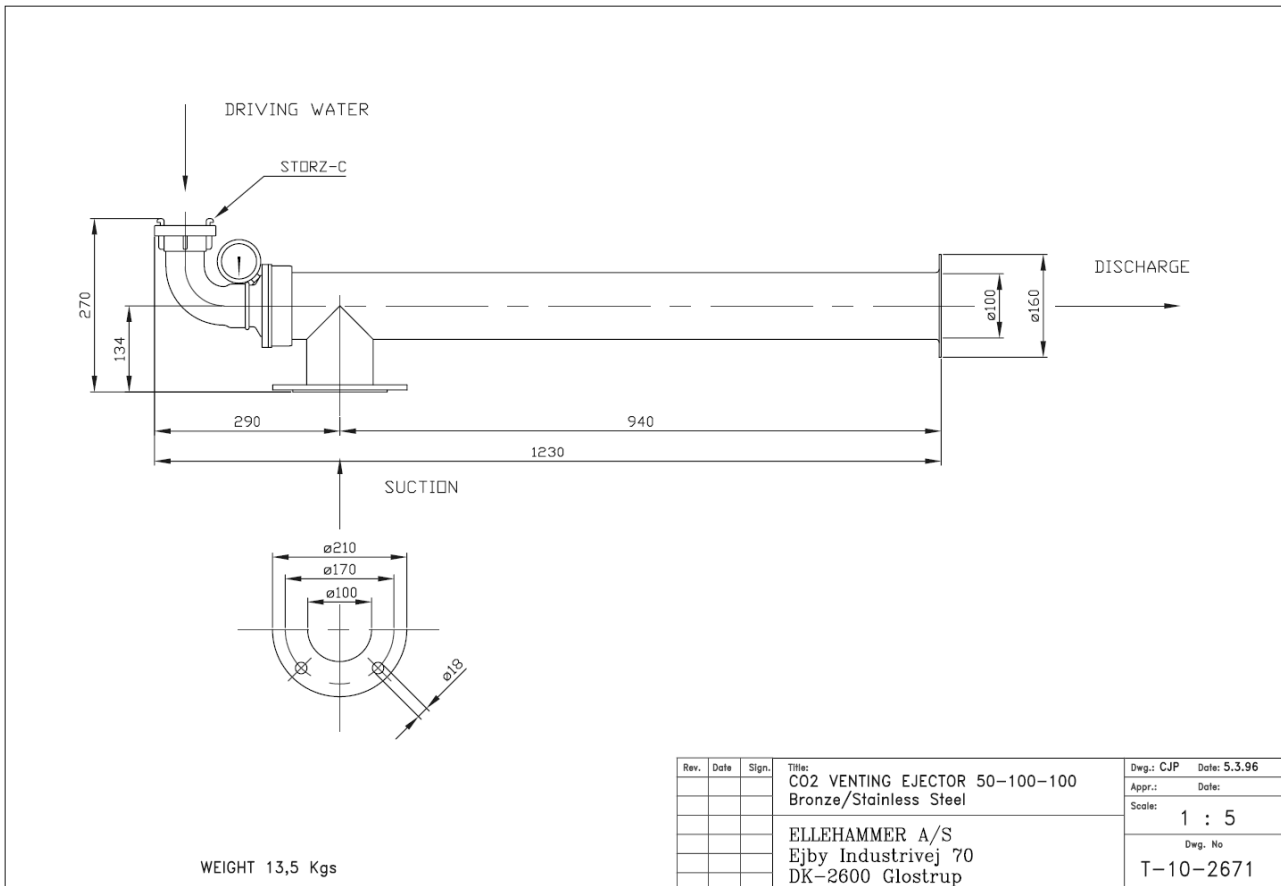
Ejector V-type – Venting ejector 50-100-100



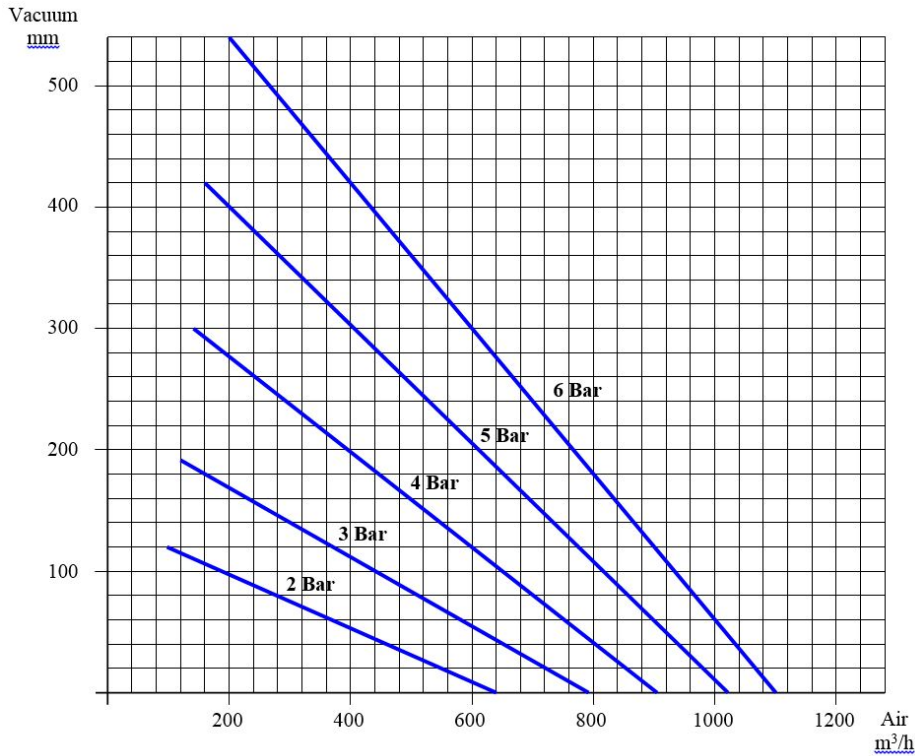
Motive water pressure p _{DR} [BarG]	Motive water consumption Q _{DR} [m³/h]
2	11,9
3	14,6
4	16,9
5	18,8
6	20,6

For guidance only

Performance curve 33



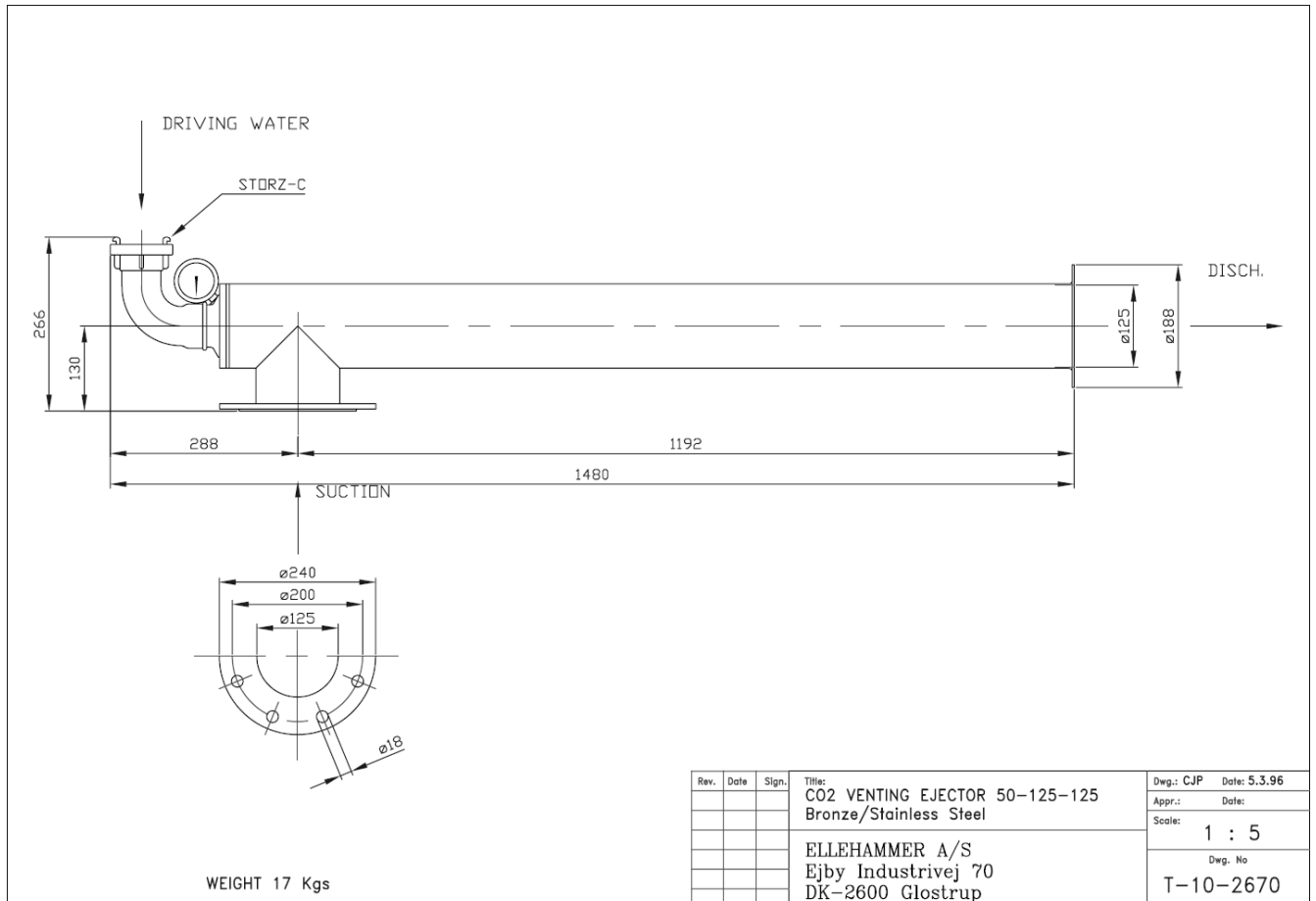
Ejector V-type - Venting ejector 50-125-125



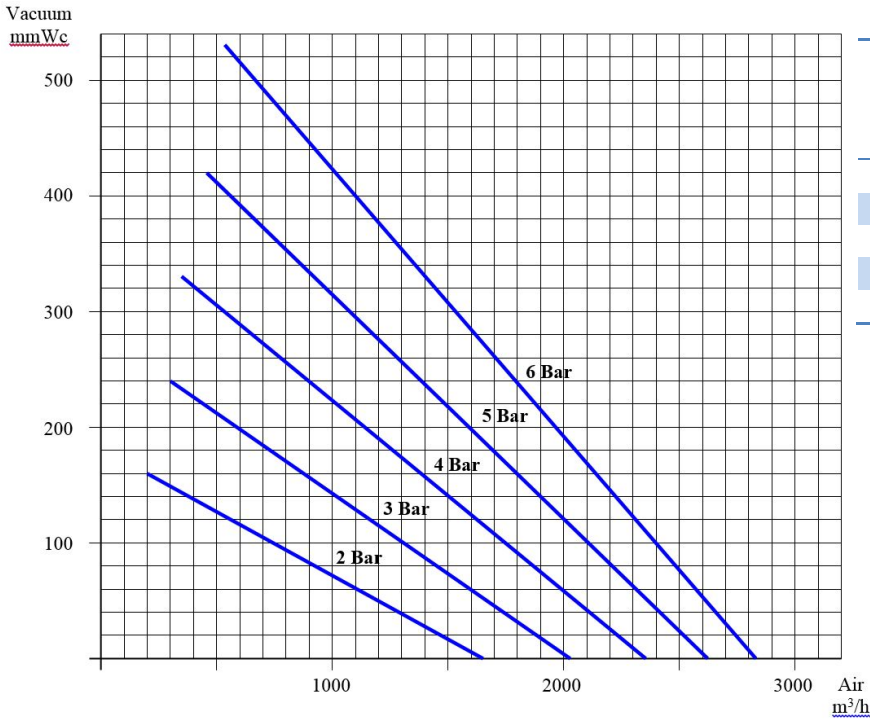
Motive water pressure p _{DR} [BarG]	Motive water consumption Q _{DR} [m³/h]
2	11,9
3	14,6
4	16,9
5	18,8
6	20,6

For guidance only

Performance curve 34



Ejector V-type - Venting ejector 65-200-200



Motive water pressure pDR [BarG]	Motive water consumption* ¹⁾ QDR [m³/h]
2	30
3	38
4	44
5	50
6	55

For guidance only

Performance curve 35

