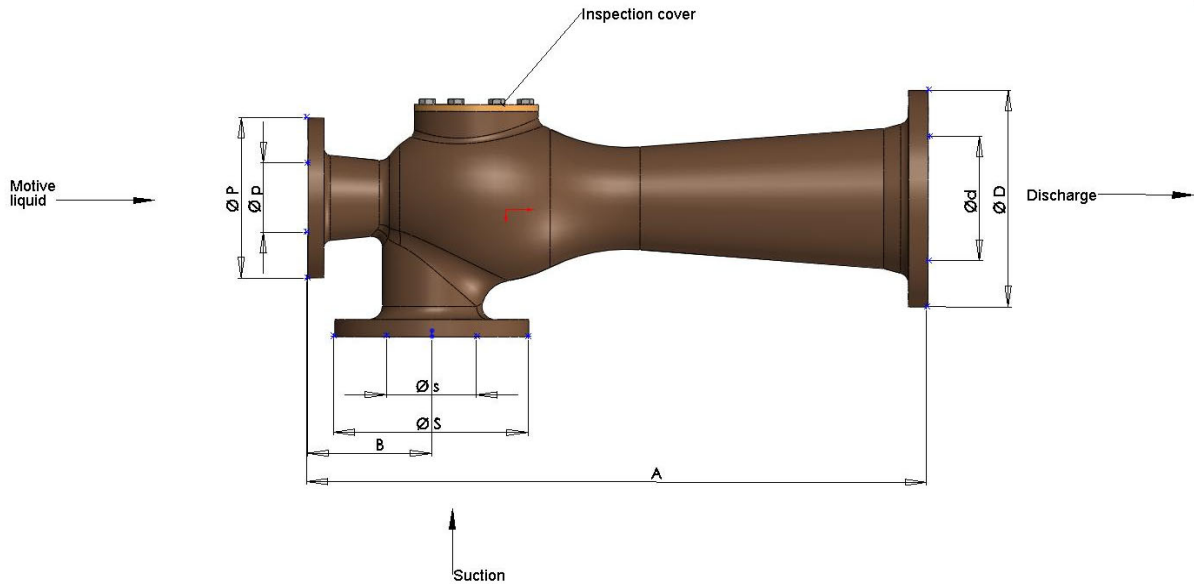


## S-Type Ejectors - Dimensions and weights

S-type ejectors are designed for sewage usage, this ejector allows large particles to pass through the ejector



Ejector type	A	B	C	$\varnothing p$	$\varnothing P$	$\varnothing s$	$\varnothing S$	$\varnothing d$	$\varnothing D$	Kgs
40-70-70S*	580	80	75	1½" BSP Socket	2½" BSP Socket	2½" BSP Nipple				9.5
50-80-80S	500	130	120	62	165	80	200	80	160	23
70-100-125S	700	140	150	80	185	100	220	125	250	37

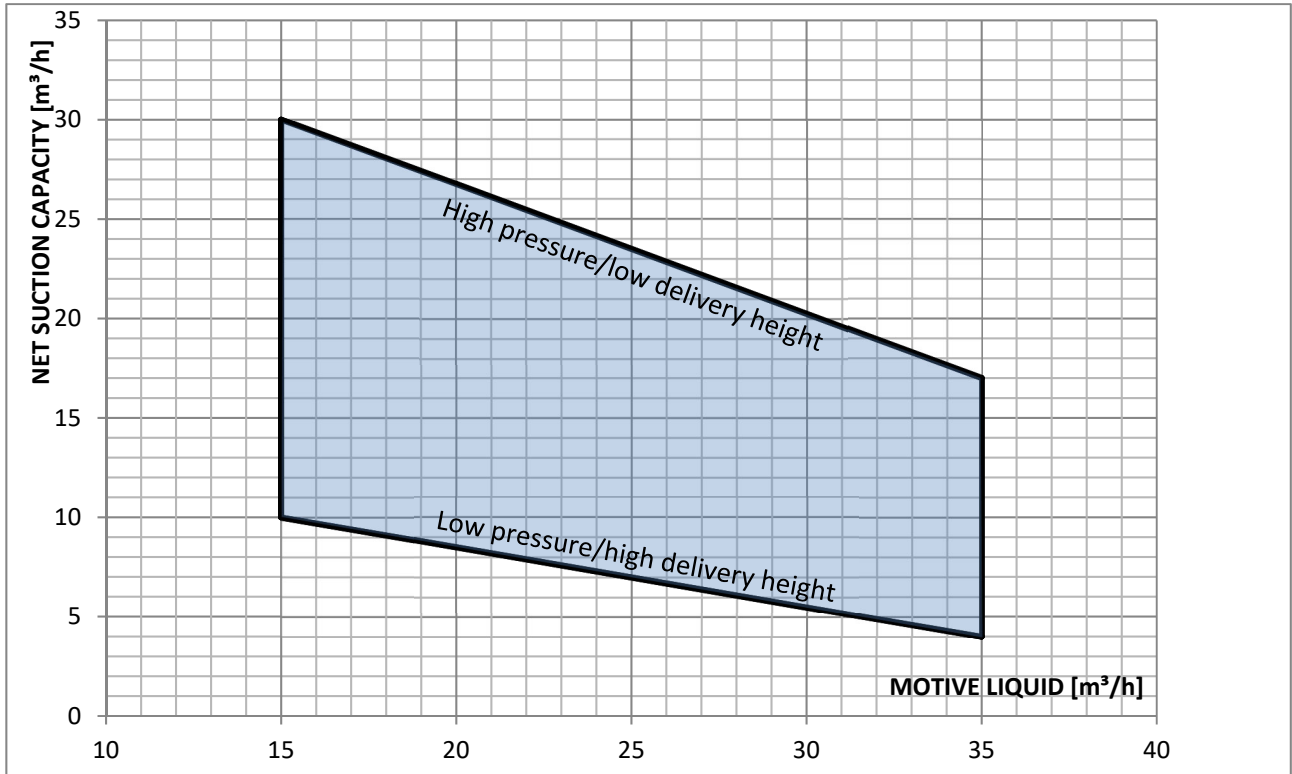
Dimensions and weight are subject to alterations. All flanges are drilled according to DIN Pn 10 unless another standard is specified.

\*Ejector with screw connection

### Max sewage particle size

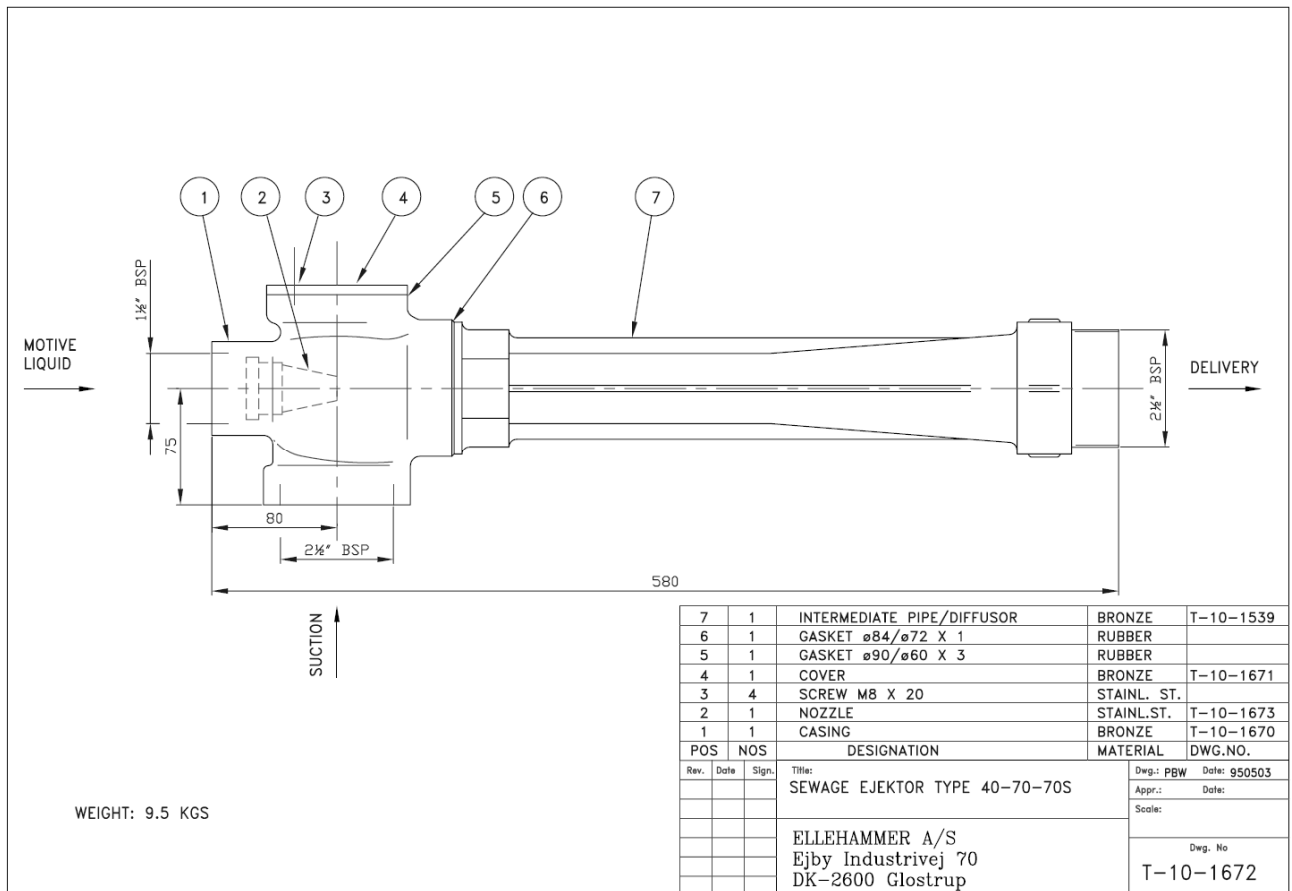
Ejector type	Max particle size - diameter mm
40-70-70S	30
50-80-80S	45
65-100-125S	65

### Ejector S-type – 40-70-70S

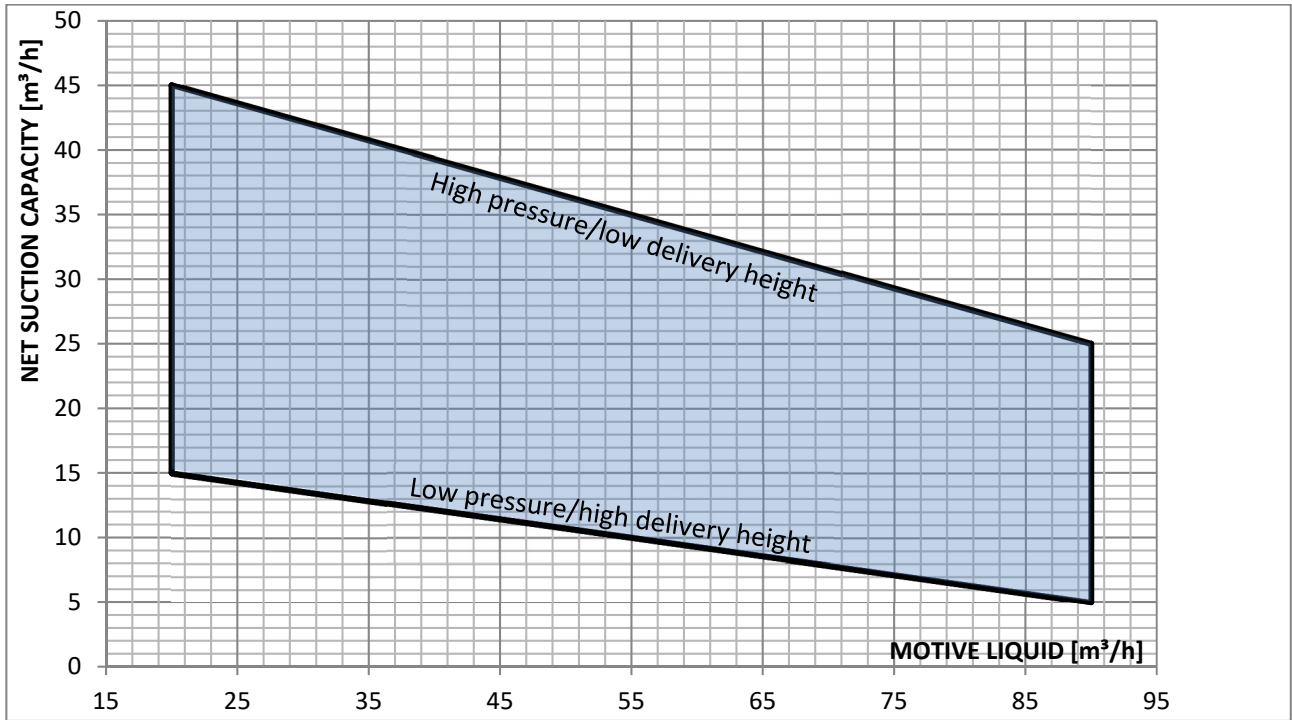


For guidance only

Performance curve 25

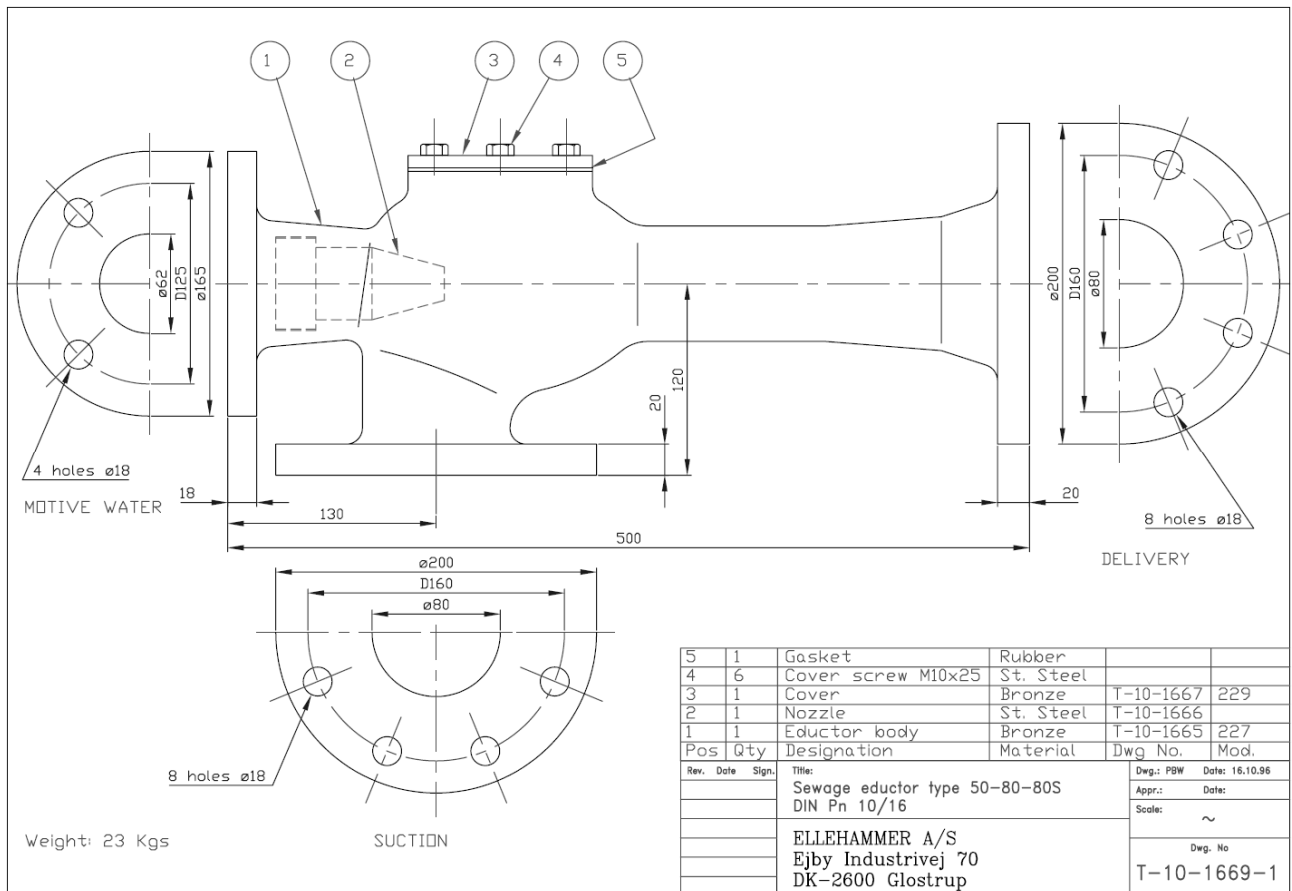


### Ejector S-type – 50-80-80S

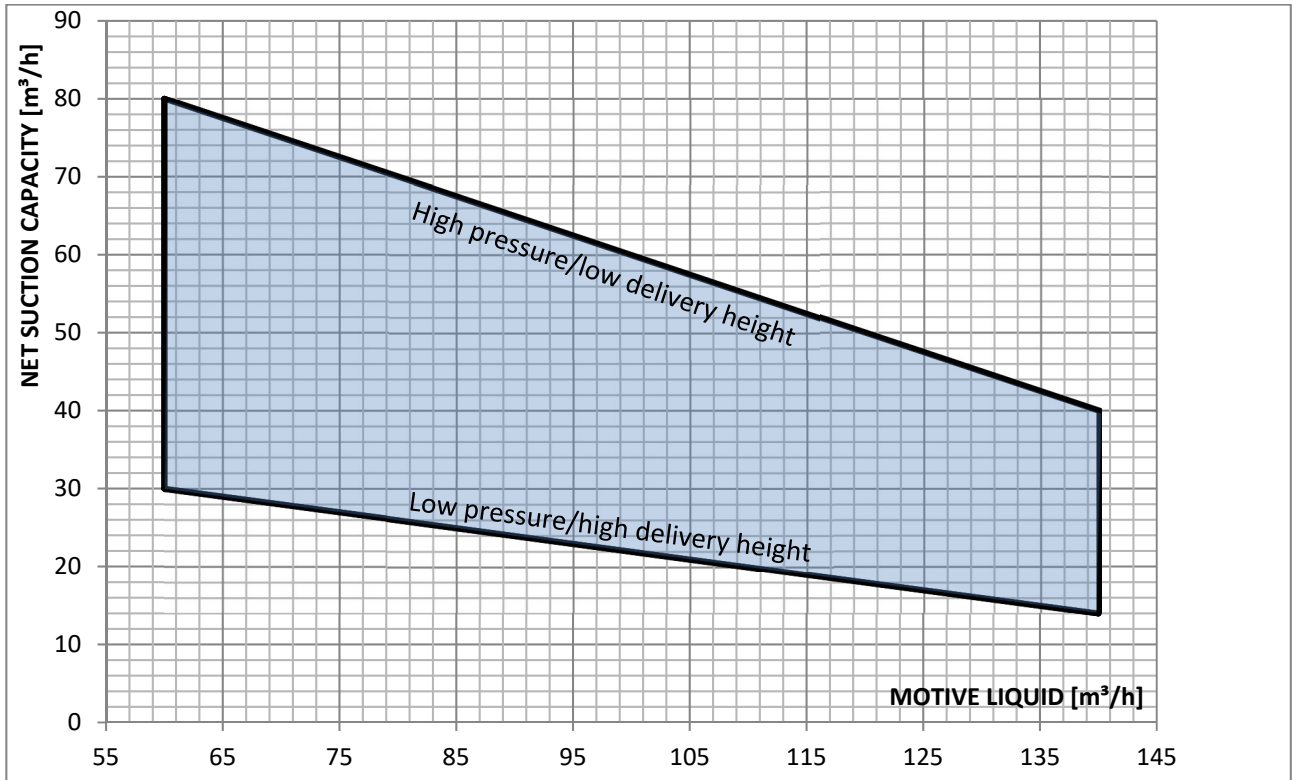


For guidance only

Performance curve 26



### Ejector S-type – 70-100-125S



For guidance only

Performance curve 27

