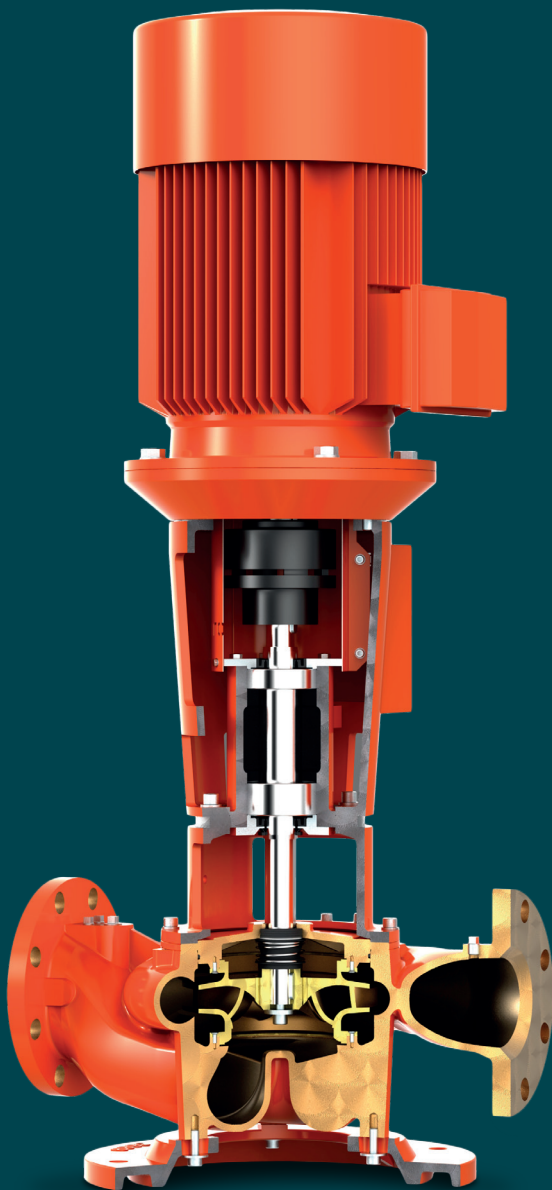


Vertical in-line centrifugal pump



- Vertical in-line centrifugal pump
- Robust design for heavier duty
- Top pull-out of revolving parts
- Low water speeds at inlet/outlet reduces risk of cavitations and wear of pump and pipe line
- Low speeds gives a quieter operation
- Pump features a double bearing arrangement between motor and impeller
- Well chosen for heavy duty operations

Pumps are extremely important in any ship and, being well aware of this, we at IRON Pump A/S meticulously set focus on pump detail and adjust our products in order to enable many years of problem-free operation. Pumps have been designed, developed and produced at our factory for more than 100 years and are presently supplied globally for new builds, retrofits, replacements and to OEM's. Estimates indicate that the majority of vessels sailing the high seas have at least one or more of our pumps installed on board. Regardless of the pump's age or destination, we guarantee the rapid delivery of spare parts should there arise needs for replacement. Our spare parts department provides a world-wide and world-class service.

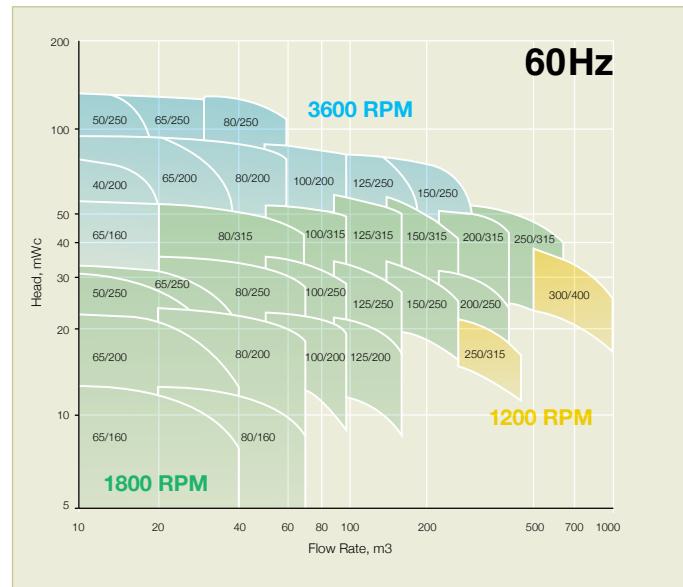
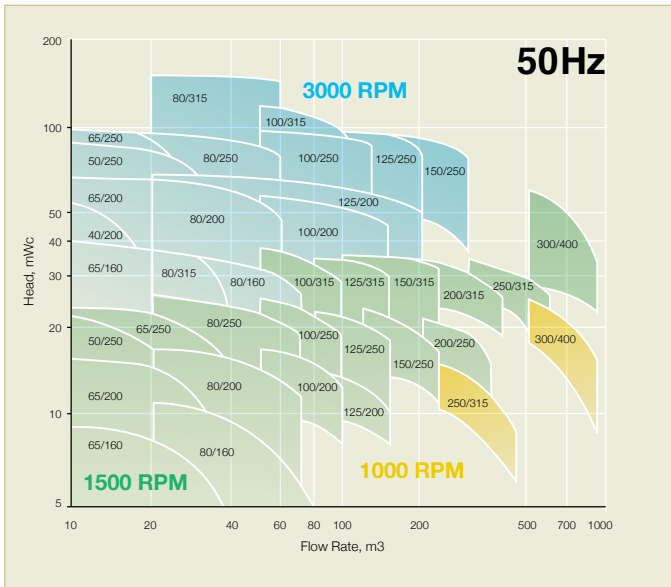
IRON Pump A/S supplies a wide range of high quality pumps. Each pump type may be adapted and customized to meet the specific requirement in question. The individual pump is assembled and tested for the specified capacity before dispatch. An on time delivery is important and is benchmarked at Iron as an essential service.



IRONPUMP

world class water pumps

Performance Curve



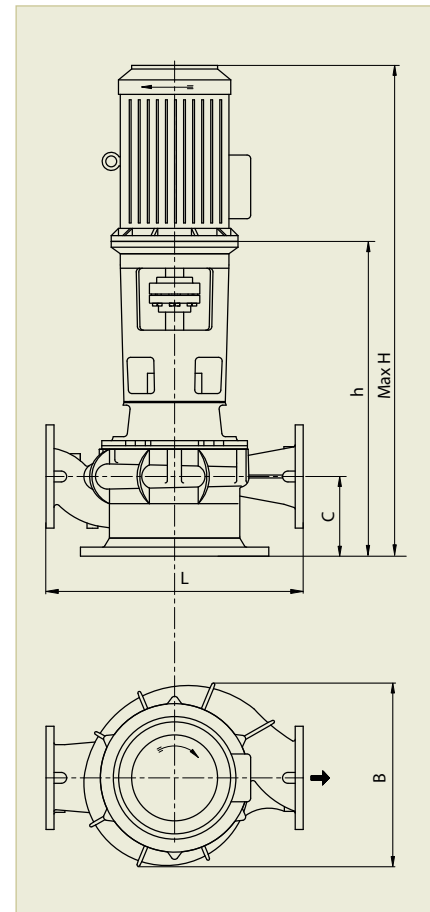
CNLB dimensions

- Wide selection of designs
- Large range
- Wide selection of materials

Pump Size	Main Dimensions, mm					Pump Weight, kg (Exl. motor)
	L	B	Max H	C	h	
65/160	360	260	910	125	570	60
80/160	400	320	925	140	585	65
40/200	360	275	1180	125	690	75
50/200	400	305	1180	125	690	80
65/200	400	305	1280	125	690	80
80/200	450	325	1170	140	715	90
100/200	500	350	1215	175	750	100
125/200	560	365	1245	205	780	125
50/250	450	375	1185	145	720	110
65/250	450	380	1185	145	720	110
80/250	500	390	1310	160	735	115
100/250	560	405	1330	180	755	125
125/250	560	425	1565	210	885	190
150/250	710	440	1590	235	910	210
200/250	900	515	1635	280	955	240
80/315	560	460	1265	175	850	195
100/315	630	470	1300	180	855	210
125/315	630	470	1365	200	875	225
150/315	710	505	1575	220	895	235
200/315	900	560	1670	315	990	290
250/315	1000	600	1725	335	1045	335

80/250 - ø Suction pipe/ø Impeller

IEC Norm motor



williams.dk 8-02-2017

IRON Pump A/S
 Generatorvej 10
 DK - 2730 Herlev

Phone: +45 4491 6788
 Mail: iron@ironpump.dk
 www.ironpump.com

